

MODULAR CONTACTOR





Leading The Future of Electrification

- A Global Heritage Brand with 130 Years of Product Innovation
- Perfect Products, Creative Services, and Competitive Price

Since 1886, Westinghouse Has Brought The Best To Life.

Westinghouse remains a trusted name globally in consumer and industrial products. Built on a heritage of innovation and entrepreneurial spirit, Westinghouse products were the first to supply the United States with AC electric power, transmit a commercial radio broadcast and capture man's first step on the moon. Today, Westinghouse continues to grow its diverse portfolio with a wide range of product categories that include home appliances, consumer electronics, lighting and power generation.

Modular Contactor (WMC1)



Feature

These contactors are frequently applied for switching of lamp loads, fans or pumps in both utility as well as industrial areas. Optimal contacts and control voltage with low heat dissipation to guarantee a long endurance of the contactor which is available in a wide range of characteristics

Technical characteristics

Standard: IEC61 095, IEC60947-4-1

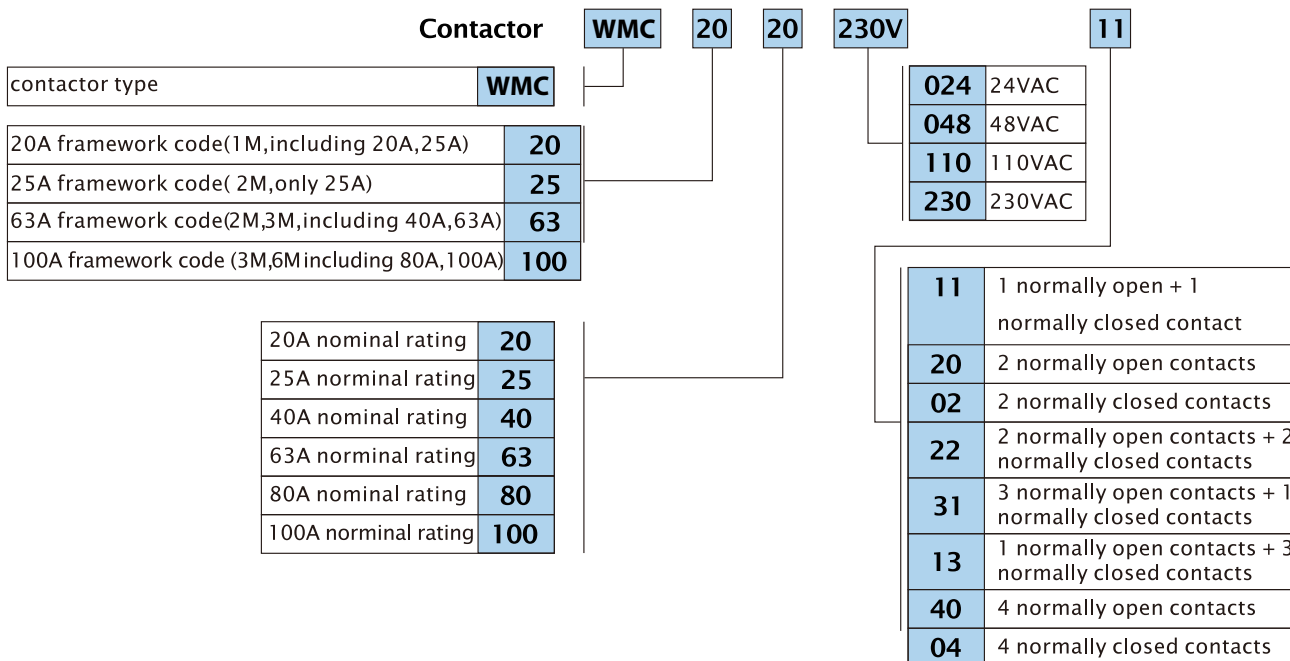
Suitable for applications in general control, heating & lighting applications.

Available in 20,25,40,63,80,100A ratings with up to 4 pole contacts Coil voltages:24Vac,48Vac,110Vac,230Vac

Day / night contactors available with manual override function.

DIN modular profile

Explanation of Aoelec list number system for WMC contactors.

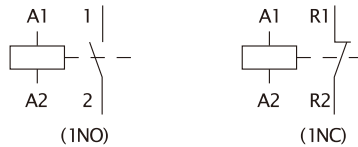


Modular Contactor (WMC1-20/1) 1P

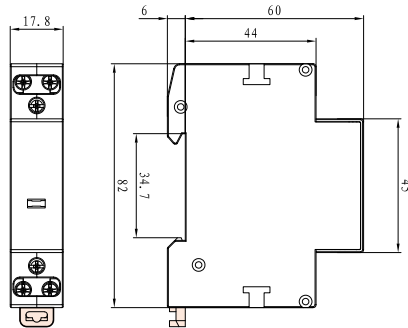
Catalogue No.

Cat. No.	Ref.No.	Rating	Coil voltage	Contact	Width	Number of modules
WMC1-20/1-20-230V/10	W606551	20A	230VAC	1NO	18 mm	1
WMC1-20/1-20-110V/10	W606552	20A	110VAC	1NO	18 mm	1
WMC1-20/1-20-48V/10	W606553	20A	48VAC	1NO	18 mm	1
WMC1-20/1-20-24V/10	W606554	20A	24VAC	1NO	18 mm	1
WMC1-20/1-25-230V/10	W606555	25A	230VAC	1NO	18mm	1
WMC1-20/1-25-110V/10	W606556	25A	110VAC	1NO	18 mm	1
WMC1-20/1-25-48V/10	W606557	25A	48VAC	1NO	18mm	1
WMC1-20/1-25-24V/10	W606558	25A	24VAC	1NO	18mm	1

Cat. No.	Ref.No.	Rating	Coil voltage	Contact	Width	Number of modules
WMC1-20/1-20-230V/01	W606559	20A	230VAC	1NC	18 mm	1
WMC1-20/1-20-110V/01	W606560	20A	110VAC	1NC	18 mm	1
WMC1-20/1-20-48V/01	W606561	20A	48VAC	1NC	18 mm	1
WMC1-20/1-20-24V/01	W606562	20A	24VAC	1NC	18 mm	1
WMC1-20/1-25-230V/01	W606563	25A	230VAC	1NC	18mm	1
WMC1-20/1-25-110V/01	W606564	25A	110VAC	1NC	18 mm	1
WMC1-20/1-25-48V/01	W606565	25A	48VAC	1NC	18mm	1
WMC1-20/1-25-24V/01	W606566	25A	24VAC	1NC	18mm	1



Dimensions(mm):



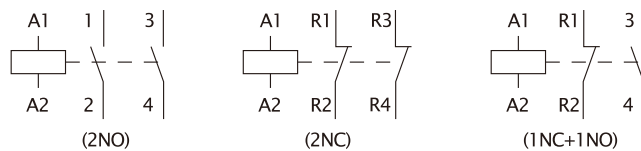
Modular Contactor (WMC1-20/2) 2P

Catalogue No.

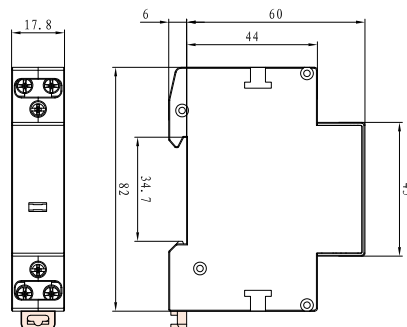
Cat. No.	Ref.No.	Rating	Coil voltage	Contact	Width	Number of modules
WMC1-20-20-230V/20	W606567	20A	230VAC	2NO	18 mm	1
WMC1-20-20-110V/20	W606568	20A	110VAC	2NO	18 mm	1
WMC1-20-20-48V/20	W606569	20A	48VAC	2NO	18 mm	1
WMC1-20-20-24V/20	W606570	20A	24VAC	2NO	18 mm	1
WMC1-20-25-230V/20	W606571	25A	230VAC	2NO	18mm	1
WMC1-20-25-110V/20	W606572	25A	110VAC	2NO	18 mm	1
WMC1-20-25-48V/20	W606573	25A	48VAC	2NO	18mm	1
WMC1-20-25-24V/20	W606574	25A	24VAC	2NO	18mm	1

Cat. No.	Ref.No.	Rating	Coil voltage	Contact	Width	Number of modules
WMC1-20-20-230V/02	W606575	20A	230VAC	2NC	18 mm	1
WMC1-20-20-110V/02	W606576	20A	110VAC	2NC	18 mm	1
WMC1-20-20-48V/02	W606577	20A	48VAC	2NC	18 mm	1
WMC1-20-20-24V/02	W606578	20A	24VAC	2NC	18 mm	1
WMC1-20-25-230V/02	W606579	25A	230VAC	2NC	18mm	1
WMC1-20-25-110V/02	W606580	25A	110VAC	2NC	18 mm	1
WMC1-20-25-48V/02	W606581	25A	48VAC	2NC	18mm	1
WMC1-20-25-24V/02	W606582	25A	24VAC	2NC	18mm	1

Cat. No.	Ref.No.	Rating	Coil voltage	Contact	Width	Number of modules
WMC1-20-20-230V/11	W606583	20A	230VAC	1N0+1NC	18 mm	1
WMC1-20-20-110V/11	W606584	20A	110VAC	1N0+1NC	18 mm	1
WMC1-20-20-48V/11	W606585	20A	48VAC	1N0+1NC	18 mm	1
WMC1-20-20-24V/11	W606586	20A	24VAC	1N0+1NC	18 mm	1
WMC1-20-25-230V/11	W606587	25A	230VAC	1N0+1NC	18mm	1
WMC1-20-25-110V/11	W606588	25A	110VAC	1N0+1NC	18 mm	1
WMC1-20-25-48V/11	W606589	25A	48VAC	1N0+1NC	18mm	1
WMC1-20-25-24V/11	W606590	25A	24VAC	1N0+1NC	18mm	1



Dimensions(mm):



Modular Contactor (WMC1-25/4) 4P

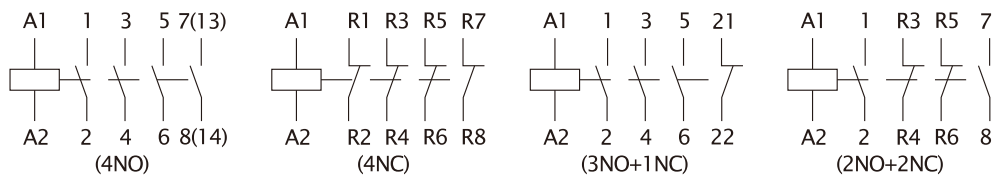
Catalogue No.

Cat. No.	Ref.No.	Rating	Coil voltage	Contact	Width	Number of modules
WMC1-25-230V/40	W606591	25A	230VAC	4NO	36mm	2
WMC1-25-110V/40	W606592	25A	110VAC	4NO	36mm	2
WMC1-25-48V/40	W606593	25A	48VAC	4NO	36mm	2
WMC1-25-24V/40	W606594	25A	24VAC	4NO	36mm	2

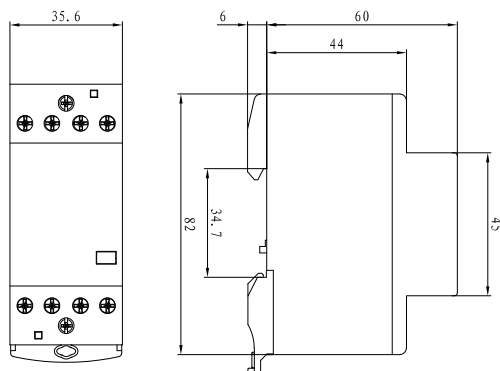
Cat. No.	Ref.No.	Rating	Coil voltage	Contact	Width	Number of modules
WMC1-25-230V/04	W606595	25A	230VAC	4NC	36mm	2
WMC1-25-110V/04	W606596	25A	110VAC	4NC	36mm	2
WMC1-25-48V/04	W606597	25A	48VAC	4NC	36mm	2
WMC1-25-24V/04	W606598	25A	24VAC	4NC	36mm	2

Cat. No.	Ref.No.	Rating	Coil voltage	Contact	Width	Number of modules
WMC1-25-230V/22	W606599	25A	230VAC	2NO+2NC	36mm	2
WMC1-25-110V/22	W606600	25A	110VAC	2NO+2NC	36mm	2
WMC1-25-48V/22	W606601	25A	48VAC	2NO+2NC	36mm	2
WMC1-25-24V/22	W606602	25A	24VAC	2NO+2NC	36mm	2

Cat. No.	Ref.No.	Rating	Coil voltage	Contact	Width	Number of modules
WMC1-25-230V/31	W606603	25A	230VAC	3NO+1NC	36mm	2
WMC1-25-110V/31	W606604	25A	110VAC	3NO+1NC	36mm	2
WMC1-25-48V/31	W606605	25A	48VAC	3NO+1NC	36mm	2
WMC1-25-24V/31	W606606	25A	24VAC	3NO+1NC	36mm	2



Dimensions(mm):



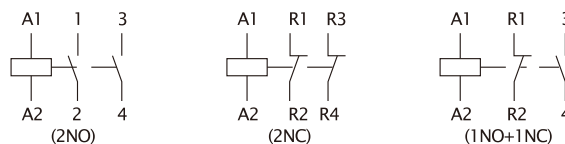
Modular Contactor (WMC1-63/2) 2P

Catalogue No.

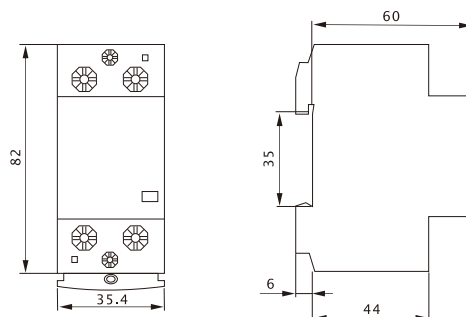
Cat. No.	Ref.No.	Rating	Coil voltage	Contact	Width	Number of modules
WMC1-63/2-63-230V/20	W606607	63A	230VAC	2NO	36mm	2
WMC1-63/2-63-110V/20	W606608	63A	110VAC	2NO	36mm	2
WMC1-63/2-63-48V/20	W606609	63A	48VAC	2NO	36mm	2
WMC1-63/2-63-24V/20	W606610	63A	24VAC	2NO	36mm	2
WMC1-63/2-40-230V/20	W606611	40A	230VAC	2NO	36mm	2
WMC1-63/2-40-110V/20	W606612	40A	110VAC	2NO	36mm	2
WMC1-63/2-40-48V/20	W606613	40A	48VAC	2NO	36mm	2
WMC1-63/2-40-24V/20	W606614	40A	24VAC	2NO	36mm	2

Cat. No.	Ref.No.	Rating	Coil voltage	Contact	Width	Number of modules
WMC1-63/2-63-230V/02	W606615	63A	230VAC	2NC	36mm	2
WMC1-63/2-63-110V/02	W606616	62A	110VAC	2NC	36mm	2
WMC1-63/2-63-48V/02	W606617	63A	48VAC	2NC	36mm	2
WMC1-63/2-63-24V/02	W606618	63A	24VAC	2NC	36mm	2
WMC1-63/2-40-230V/02	W606619	40A	230VAC	2NC	36mm	2
WMC1-63/2-40-110V/02	W606620	40A	110VAC	2NC	36mm	2
WMC1-63/2-40-48V/02	W606621	40A	48VAC	2NC	36mm	2
WMC1-63/2-40-24V/02	W606622	40A	24VAC	2NC	36mm	2

Cat. No.	Ref.No.	Rating	Coil voltage	Contact	Width	Number of modules
WMC1-63/2-63-230V/11	W606623	63A	230VAC	1NO+1NC	36mm	2
WMC1-63/2-63-110V/11	W606624	63A	110VAC	1NO+1NC	36mm	2
WMC1-63/2-63-48V/11	W606625	63A	48VAC	1 NO+1 NC	36mm	2
WMC1-63/2-63-24V/11	W606626	63A	24VAC	1 NO+1 NC	36mm	2
WMC1-63/2-40-230V/11	W606627	40A	230VAC	1NO+1NC	36mm	2
WMC1-63/2-40-110V/11	W606628	40A	110VAC	1NO+1NC	36mm	2
WMC1-63/2-40-48V/11	W606629	40A	48VAC	1 NO+1 NC	36mm	2
WMC1-63/2-40-24V/11	W606630	40A	24VAC	1 NO+1 NC	36mm	2



Dimensions(mm):

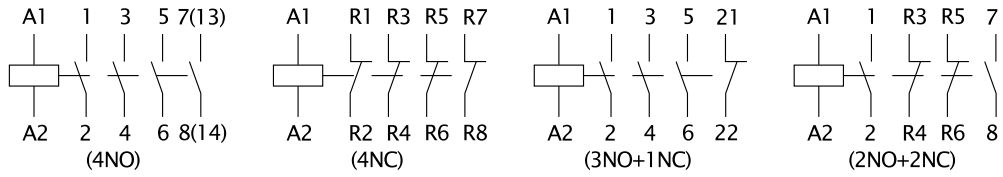


Modular Contactor (WMC1-63/4) 4P

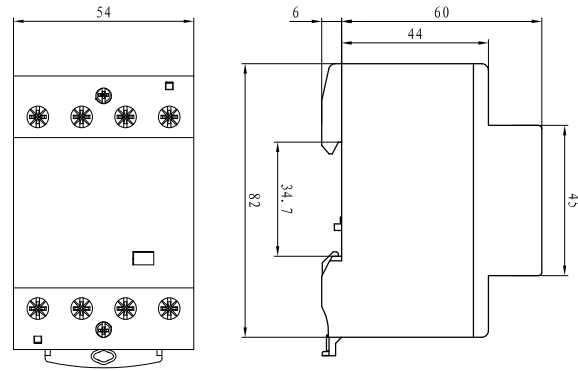
Catalogue No.

Cat. No.	Ref.No.	Rating	Coil voltage	Contact	Width	Number of modules
WMC1-63-40-230V/40	W606631	40A	230VAC	4NO	54mm	3
WMC1-63-40-110V/40	W606632	40A	110VAC	4NO	54mm	3
WMC1-63-40-48V/40	W606633	40A	48VAC	4NO	54mm	3
WMC1-63-40-24V/40	W606634	40A	24VAC	4NO	54mm	3
WMC1-63-63-230V/40	W606635	63A	230VAC	4NO	54mm	3
WMC1-63-63-110V/40	W606636	63A	110VAC	4NO	54mm	3
WMC1-63-63-48V/40	W606637	63A	230VAC	4NO	54mm	3
WMC1-63-63-24V/40	W606638	63A	24VAC	4NO	54mm	3
Cat. No.	Ref.No.	Rating	Coil voltage	Contact	Width	Number of modules
WMC1-63-40-230V/04	W606639	40A	230VAC	4NC	54mm	3
WMC1-63-40-110V/04	W606640	40A	110VAC	4NC	54mm	3
WMC1-63-40-48V/04	W606641	40A	48VAC	4NC	54mm	3
WMC1-63-40-24V/04	W606642	40A	24VAC	4NC	54mm	3
WMC1-63-63-230V/04	W606643	63A	230VAC	4NC	54mm	3
WMC1-63-63-110V/04	W606644	63A	110VAC	4NC	54mm	3
WMC1-63-63-48V/04	W606645	63A	48VAC	4NC	54mm	3
WMC1-63-63-24V/04	W606646	63A	24VAC	4NC	54mm	3
Cat. No.	Ref.No.	Rating	Coil voltage	Contact	Width	Number of modules
WMC1-63-40-230V/31	W606647	40A	230VAC	3NO+1 NC	54mm	3
WMC1-63-40-110V/31	W606648	40A	110VAC	3NO+1 NC	54mm	3
WMC1-63-40-48V/31	W606649	40A	48VAC	3NO+1 NC	54mm	3
WMC1-63-40-24V/31	W606650	40A	24VAC	3NO+1 NC	54mm	3
WMC1-63-63-230V/31	W606651	63A	230VAC	3NO+1 NC	54mm	3
WMC1-63-63-110V/31	W606652	63A	110VAC	3NO+1NC	54mm	3
WMC1-63-63-48V/31	W606653	63A	48VAC	3NO+1 NC	54mm	3
WMC1-63-63-24V/31	W606654	63A	24VAC	3NO+1 NC	54mm	3
Cat. No.	Ref.No.	Rating	Coil voltage	Contact	Width	Number of modules
WMC1-63-40-230V/22	W606655	40A	230VAC	2NO+2NC	54mm	3
WMC1-63-40-110V/22	W606656	40A	110VAC	2NO+2NC	54mm	3
WMC1-63-40-48V/22	W606657	40A	48VAC	2NO+2NC	54mm	3
WMC1-63-40-24V/22	W606658	40A	24VAC	2NO+2NC	54mm	3
WMC1-63-63-230V/22	W606659	63A	230VAC	2NO+2NC	54mm	3
WMC1-63-63-110V/22	W606660	63A	110VAC	2NO+2NC	54mm	3
WMC1-63-63-48V/22	W606661	63A	48VAC	2NO+2NC	54mm	3
WMC1-63-63-24V/22	W606662	63A	24VAC	2NO+2NC	54mm	3

Modular Contactor (WMC1-63/4) 4P



Dimensions(mm):



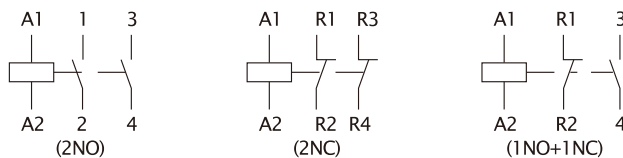
Modular Contactor (WMC1-100/2) 2P

Catalogue No.

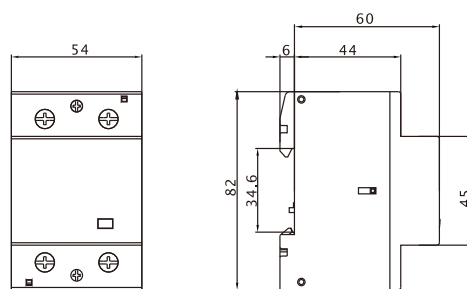
Cat. No.	Ref.No.	Rating	Coil voltage	Contact	Width	Number of modules
WMC1-100/2-100-230V/20	W606663	100A	230VAC	2NO	54mm	3
WMC1-100/2-100-110V/20	W606664	100A	110VAC	2NO	54mm	3
WMC1-100/2-100-48V/20	W606665	100A	48VAC	2NO	54mm	3
WMC1-100/2-100-24V/20	W606666	100A	24VAC	2NO	54mm	3
WMC1-100/2-80-230V/20	W606667	80A	230VAC	2NO	54mm	3
WMC1-100/2-80-110V/20	W606668	80A	110VAC	2NO	54mm	3
WMC1-100/2-80-48V/20	W606669	80A	48VAC	2NO	54mm	3
WMC1-100/2-80-24V/20	W606670	80A	24VAC	2NO	54mm	3

Cat. No.	Ref.No.	Rating	Coil voltage	Contact	Width	Number of modules																											
WMC1-100/2-100-230V/02	W606671	100A	230VAC	2NC	54mm	3																											
WMC1-100/2-100-110V/02	W606672	100A	110VAC	2NC	54mm	3																											
WMC1-100/2-100-48V/02	W606673	100A	48VAC	2NC	54mm	3																											
WMC1-100/2-100-24V/02	W606674	100A	24VAC	2NC	54mm </tr <tr> <td>WMC1-100/2-80-230V/02</td> <td>W606675</td> <td>80A</td> <td>230VAC</td> <td>2NC</td> <td>54mm</td> <td>3</td> </tr> <tr> <td>WMC1-100/2-80-110V/02</td> <td>W606676</td> <td>80A</td> <td>110VAC</td> <td>2NC</td> <td>54mm</td> <td>3</td> </tr> <tr> <td>WMC1-100/2-80-48V/02</td> <td>W606677</td> <td>80A</td> <td>48VAC</td> <td>2NC</td> <td>54mm</td> <td>3</td> </tr> <tr> <td>WMC1-100/2-80-24V/02</td> <td>W606678</td> <td>80A</td> <td>24VAC</td> <td>2NC</td> <td>54mm</td> <td>3</td> </tr>	WMC1-100/2-80-230V/02	W606675	80A	230VAC	2NC	54mm	3	WMC1-100/2-80-110V/02	W606676	80A	110VAC	2NC	54mm	3	WMC1-100/2-80-48V/02	W606677	80A	48VAC	2NC	54mm	3	WMC1-100/2-80-24V/02	W606678	80A	24VAC	2NC	54mm	3
WMC1-100/2-80-230V/02	W606675	80A	230VAC	2NC	54mm	3																											
WMC1-100/2-80-110V/02	W606676	80A	110VAC	2NC	54mm	3																											
WMC1-100/2-80-48V/02	W606677	80A	48VAC	2NC	54mm	3																											
WMC1-100/2-80-24V/02	W606678	80A	24VAC	2NC	54mm	3																											

Cat. No.	Ref.No.	Rating	Coil voltage	Contact	Width	Number of modules
WMC1-100/2-100-230V/11	W606679	100A	230VAC	1N0+1NC	54mm	3
WMC1-100/2-100-110V/11	W606680	100A	110VAC	1N0+1NC	54mm	3
WMC1-100/2-100-48V/11	W606681	100A	48VAC	1N0+1NC	54mm	3
WMC1-100/2-100-24V/11	W606682	100A	24VAC	1N0+1NC	54mm	3
WMC1-100/2-80-230V/11	W606683	80A	230VAC	1N0+1NC	54mm	3
WMC1-100/2-80-110V/11	W606684	80A	110VAC	1N0+1NC	54mm	3
WMC1-100/2-80-48V/11	W606685	80A	48VAC	1N0+1NC	54mm	3
WMC1-100/2-80-24V/11	W606686	80A	24VAC	1N0+1NC	54mm	3



Dimensions(mm):



Modular Contactor (WMC1-100/4) 4P

Catalogue No.

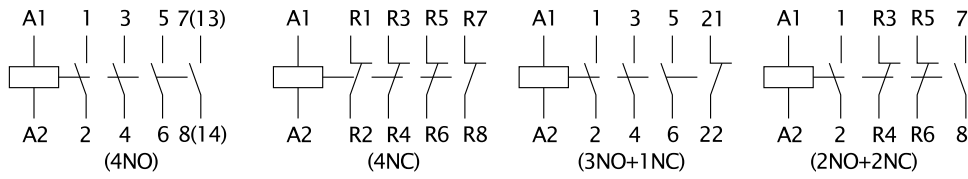
Cat. No.	Ref.No.	Rating	Coil voltage	Contact	Width	Number of modules
WMC1-100-80-230V/40	W606687	80A	230VAC	4NO	108mm	6
WMC1-100-80-110V/40	W606688	80A	110VAC	4NO	108mm	6
WMC1-100-80-48V/40	W606689	80A	48VAC	4NO	108mm	6
WMC1-100-80-24V/40	W606690	80A	24VAC	4NO	108mm	6
WMC1-100-100-230V/40	W606691	100A	230VAC	4NO	108mm	6
WMC1-100-100-110V/40	W606692	100A	110VAC	4NO	108mm	6
WMC1-100-100-48V/40	W606693	100A	230VAC	4NO	108mm	6
WMC1-100-100-24V/40	W606694	100A	24VAC	4NO	108mm	6

Cat. No.	Ref.No.	Rating	Coil voltage	Contact	Width	Number of modules
WMC1-100-80-230V/04	W606695	80A	230VAC	4NC	108mm	6
WMC1-100-80-110V/04	W606696	80A	110VAC	4NC	108mm	6
WMC1-100-80-48V/04	W606697	80A	48VAC	4NC	108mm	6
WMC1-100-80-24V/04	W606698	80A	24VAC	4NC	108mm	6
WMC1-100-100-230V/04	W606699	100A	230VAC	4NC	108mm	6
WMC1-100-100-110V/04	W606700	100A	110VAC	4NC	108mm	6
WMC1-100-100-48V/04	W606701	100A	48VAC	4NC	108mm	6
WMC1-100-100-24V/04	W606702	100A	24VAC	4NC	108mm	6

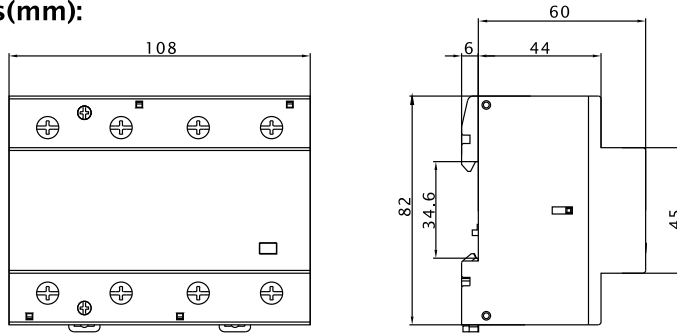
Cat. No.	Ref.No.	Rating	Coil voltage	Contact	Width	Number of modules
WMC1-100-80-230V/31	W606703	80A	230VAC	3NO+1 NC	108mm	6
WMC1-100-80-110V/31	W606704	80A	110VAC	3NO+1 NC	108mm	6
WMC1-100-80-48V/31	W606705	80A	48VAC	3NO+1 NC	108mm	6
WMC1-100-80-24V/31	W606706	80A	24VAC	3NO+1 NC	108mm	6
WMC1-100-100-230V/31	W606707	100A	230VAC	3NO+1 NC	108mm	6
WMC1-100-100-110V/31	W606708	100A	110VAC	3NO+1NC	108mm	6
WMC1-100-100-48V/31	W606709	100A	48VAC	3NO+1 NC	108mm	6
WMC1-100-100-24V/31	W606710	100A	24VAC	3NO+1 NC	108mm	6

Cat. No.	Ref.No.	Rating	Coil voltage	Contact	Width	Number of modules
WMC1-100-80-230V/22	W606711	80A	230VAC	2NO+2NC	108mm	6
WMC1-100-80-110V/22	W606712	80A	110VAC	2NO+2NC	108mm	6
WMC1-100-80-48V/22	W606713	80A	48VAC	2NO+2NC	108mm	6
WMC1-100-80-24V/22	W606714	80A	24VAC	2NO+2NC	108mm	6
WMC1-100-100-230V/22	W606715	100A	230VAC	2NO+2NC	108mm	6
WMC1-100-100-110V/22	W606716	100A	110VAC	2NO+2NC	108mm	6
WMC1-100-100-48V/22	W606717	100A	48VAC	2NO+2NC	108mm	6
WMC1-100-100-24V/22	W606718	100A	24VAC	2NO+2NC	108mm	6

Modular Contactor (WMC1-100/4)



Dimensions(mm):



Modular Contactor (WMC1R-20)

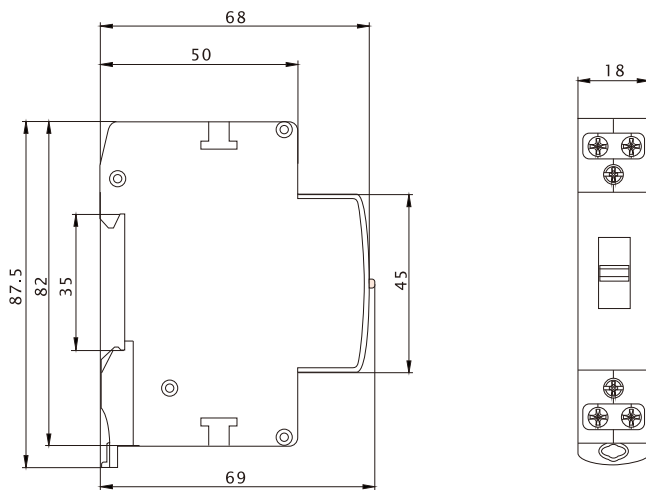
Feature

Have a manual override function, which enables the user to bring the contactor in either a forced ;ON; or ;OFF; position depends on the tariff.

Catalogue No.

Cat. No.	Ref.No.	Rating	Coil voltage	Contact	Width
WMC1R-20-20-230V/20	W606719	20A	230VAC	2NO	18mm
WMC1R-20-25-230V/20	W606720	25A	230VAC	2NO	18mm
WMC1R-20-20-230V/02	W606721	20A	230VAC	2NC	18 mm
WMC1R-20-25-230V/02	W606722	25A	230VAC	2NC	18mm
WMC1R-20-20-230V/11	W606723	20A	230VAC	1N0+1NC	18 mm
WMC1R-20-25-230V/11	W606724	25A	230VAC	1N0+1NC	18 mm

Dimensions(mm):



Technical Details

Products	Contactors				
Rating(module)	WMC1-20	WMC1-25/4	WMC1-40/4	WMC1-63/4	WMC1-63/2

General

Standards	IEC60947-4-1, IEC61095				
Nominal operating voltage 1-Phase	Ue 1-ph. 230V	230V	230V	230V	230V
Nominal operating voltage 3-Phase	Ue 3-ph. —	400V	400V	400V	—
Mechanical endurance (switching cycles)	3,000,000	3,000,000	3,000,000	3,000,000	3,000,000
Protection class	IP20	IP20	IP20	IP20	IP20
Permissible ambient temperature	-5°C…+55°C	-5°C…+55°C	-5°C…+55°C	-5°C…+55°C	-5°C…+55°C
Consumption (230V AC)	≤ 1.1W	≤ 1.35W	≤ 1.55W	≤ 1.55W	≤ 1.55W

Contact rating

Rated insulation voltage	Ui	500V	500V	500V	500V	500V
Frequency		50/60Hz	50/60Hz	50/60Hz	50/60Hz	50/60Hz
Rated impulse withstand voltage	Uimp	4kV	4kV	4kV	4kV	4kV
Rated thermal current	Ith	20A(25A)	25A	40A	63A	40A
AC1 / AC7a Rated operational current	Ie	20A(25A)	25A	40A	63A	40A
AC1 / AC7a Rated operational current AT Ue =230Vac	Pmax	4.5kW(5kW)	5kW	9kW	11.6kW	11.6kW
AC1 / AC7a Rated operational current AT Ue =400Vac	Pmax	—	16kW	27.5kW	40kW	—
AC3 / AC7b Rated operational current AT Ue =230Vac	Pmax	1.2kW	1.5kW	3kW	3.3kW	3.3kW
AC3 / AC7b Rated operational current AT Ue =400Vac	Pmax	—	4kW	12.5kW	15kW	—

Electrical endurance

Maximum operating cycles at AC1/AC7a application		250000	250000	250000	250000	250000
Maximum operating cycles at AC3/AC7b application		250000	250000	250000	250000	250000
Maximum back-up fuse		25A gL	25A gL	63A gL	63A gL	63A gL
Operating coil		[24VAC 48VAC 110VAC 230VAC]				
Coil inrush power(for all voltage ratings)		10~40mS	10~40mS	10~40mS	10~40mS	10~40mS
Coil consumption (for all voltage ratings)		10-25ms	10-25ms	10-25ms	10-25ms	10-25ms
Opening delay		<20mS	<20mS	<45mS	<45mS	<45mS
Terminals for main & auxiliary contacts						
Terminal capacity-fine stranded wire		1-6mm ²	1-6mm ²	1-16mm ²	1-16mm ²	1-16mm ²
Terminal capacity-solid wire		1-10mm ²	1-10mm ²	1-25mm ²	1-25mm ²	1-25mm ²
Terminal screw size		M4	M4	M5	M5	M5
Maximum torque		1.2Nm	1.2Nm	2.0Nm	2.0Nm	2.0Nm
Terminals for operating coils						
Terminal capacity-fine stranded wire		1-2.5mm ²	1-2.5mm ²	1-2.5mm ²	1-2.5mm ²	1-2.5mm ²
Terminal capacity-solid wire		1-2.5mm ²	1-2.5mm ²	1-2.5mm ²	1-2.5mm ²	1-2.5mm ²
Terminal screw size		M3	M3	M3	M3	M3
Maximum torque		0.6Nm	0.6Nm	0.6Nm	0.6Nm	0.6Nm



Worldwide



Westinghouse Commitment

Since 1886, Westinghouse has brought the best to life. Today, our legacy lives on with technology that is transforming the human experience, from smart appliances for the home to energy solutions that are clean and safety powering us into the next generation.

We build dependable, affordable products that help people lead richer, fuller lives, whether it's a TV that connects them to their world or simply a pouch light that welcomes them home on a cold winter's night.

For more than 130 years, people have counted on Westinghouse to always be there for them. you can sure that's where we'll stay.



Leading The Future of Electrification



USA: Westinghouse
20 Stanwix Street | Pittsburgh | PA | 15222

Poland : Westinghouse LV MV Product sp. z o.o.
Warsaw, Rondo ONZ 1, 12 floor, 00-124 Warsaw, Poland

Malaysia : Westinghouse Lv Mv Product Sdn. Bhd.
Seberang Perai Selatan 14110 Simpang Ampat
Pulau Penang, Malaysia

WWW.westinghouselvmv.com
Email: info@westinghouselvmv.com